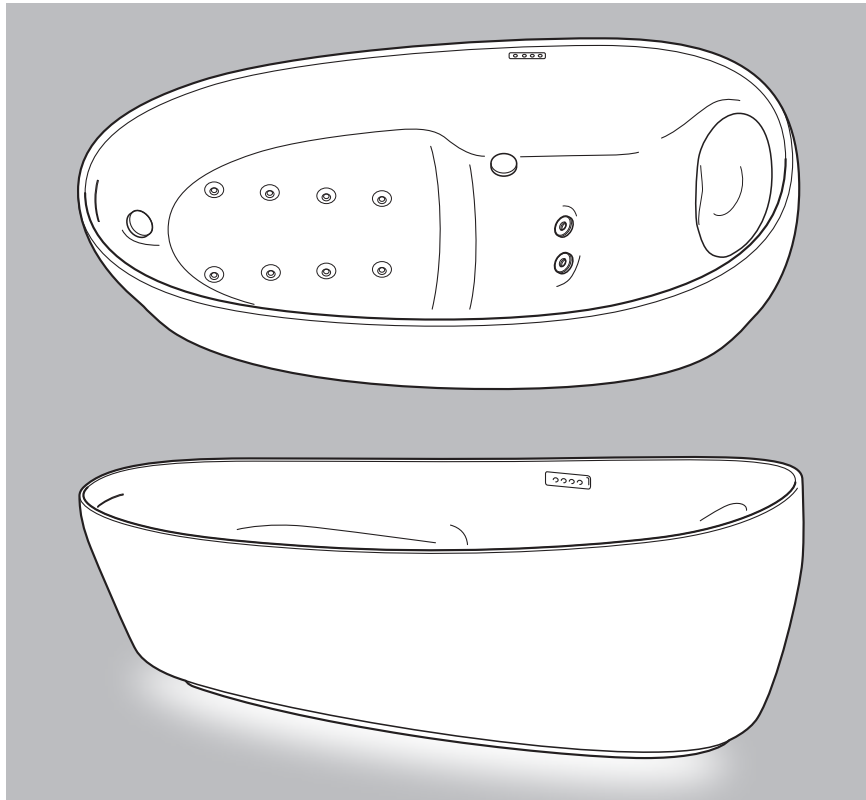


FLOTATION TUB WITH ZERO DIMENSION PJYD2200



<INSTALLATION INSTRUCTIONS>

● Cautions and warnings 2	● Installation procedures 9
● Included parts 4	● Meaning of the indications 10
● Required tools 5	● Building a base for the bathtub 10
● Specifications 6	● Installing the bathtub 11
● Dimension drawings 7	● Conduct a trial run 15
● Electrical construction 8	● Finishing 16

To service installers



Please explain the FLOTATION TUB functions and operation to the customers.

Keep the power turned off when there is time until handing over the product in a new home.



Please install according to all local and applicable codes.




Cautions and warnings

WARNING - When using electrical products, basic precautions should always be followed, including the following:
 1. DANGER; RISK OF ELECTRIC SHOCK. Connect only to a circuit protected by a ground-fault circuit-interrupter.
 2. Grounding is required. The unit should be installed by a qualified service representative and grounded.


 WARNING	When this appears next to a topic, this indicates that misoperation could result in death or serious injury.
 CAUTION	When this appears next to a topic, this indicates that misoperation may result in injury or physical damage.

• The following symbols are used to classify and explain instructions that must be followed.



Symbol example	Meaning of symbol
	This symbol indicates something that is "Prohibited".
	This symbol indicates something that is "Required".

 WARNING	
 Prohibited	<p>Do not stand on bathtub while working.</p> <ul style="list-style-type: none"> • Doing so could cause a fall or injury or damage the components. <p>Only install the supplied parts or directed parts, and do not apply any changes to them.</p> <ul style="list-style-type: none"> • Especially make sure not to change the dimensions of the product. <p>Do not bend, handle the power cords roughly or place heavy objects on them.</p> <ul style="list-style-type: none"> • This could result in a fire or electric shock.
 Always observe	<p>Make sure to follow the installation guide for installation.</p> <ul style="list-style-type: none"> • Incomplete installation can result in a fire or electric shock. Otherwise, there is a chance of leakage that could wet and cause damage to household property. <p>Make sure to follow the procedures for the drainage piping attachment.</p> <ul style="list-style-type: none"> • Defective construction can result in water leakage that could wet and cause damage to household property. <p>After unpacking, swiftly dispose of any unnecessary packing materials.</p> <ul style="list-style-type: none"> • The wood frame, nails, cardboard boxes, vinyl bags, or sealing straps may cause an injury. If children play with the packaging materials there is a risk of suffocation or other accidents. <p>Have a specialized electrician conduct all electrical work.</p> <ul style="list-style-type: none"> • If the work is not conducted properly, it may result in an injury or physical damage. <p>DANGER: RISK OF ELECTRIC SHOCK Attach a wiring circuit breaker and ground fault circuit interrupter (GFCI) to the electrical equipment of the bathtub.</p> <p>Attach the faucet water supply equipment to the bathtub.</p> <p>Make sure to connect the ground wire (ground).</p> <p>Use the specified AC voltage for the voltage.</p> <ul style="list-style-type: none"> • This may result in damage or failure to the device or a fire. <p>After completing the installation, make sure to check the operation of the wiring circuit breaker and ground fault circuit interrupter (GFCI).</p> <ul style="list-style-type: none"> • If the GFCI is not properly operating, it may result in a fire or electric shock.

 **WARNING**

 Always observe	<p>Make sure to install the bathtub according to the installation guide and in a stable location that can withstand. Its mass + weight of 78 gallons of water + weight of large person in tub (375+651+300=1326 lbs)</p> <ul style="list-style-type: none"> • Defective installation can result in an injury caused by the bathtub falling or flipping over.
	<p>When connecting the wiring, check to see that the power is turned off.</p> <ul style="list-style-type: none"> • This may cause electric shock.
	<p>Ensure that you have an ergonomic working position during transport and assembly.</p> <ul style="list-style-type: none"> • Take care at every stage that your move is safe. Ensure that you have assistance to avoid risk of accident or injury.
	<p>Observe the current local prevention of accidents and building regulations as well as sanitary and environmental protection rules during installation.</p>

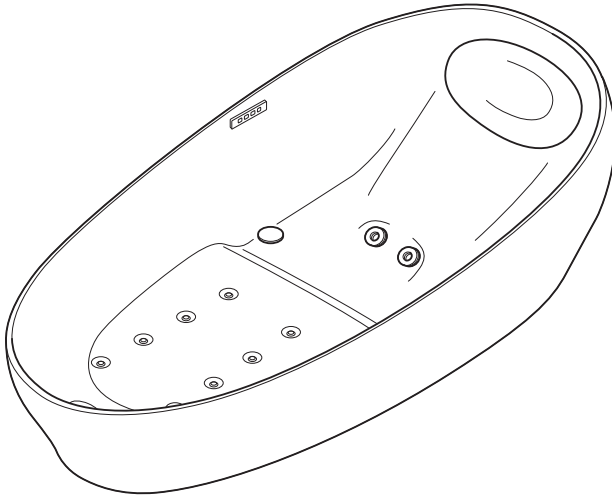
 **CAUTION**

 Prohibited	<p>Do not place a stepladder inside the bathtub or place heavy objects on the edge the bathtub.</p> <ul style="list-style-type: none"> • This may cause damage.
	<p>Do not drop or bump anything hard or heavy onto the bathtub.</p> <ul style="list-style-type: none"> • This may cause the bathtub to crack and result in an injury, or leakage that could wet and cause damage to household property.
	<p>Keep sources of heat at a distance. Route all materials and wiring away from the pump and blower. Do not smoke.</p> <ul style="list-style-type: none"> • Doing so could cause damage.
	<p>Do not install the bathtub outdoors or in a location that is regularly exposed to sunlight (such as a sun room).</p> <ul style="list-style-type: none"> • This may cause the bathtub to freeze and cause damage or discoloration.
	<p>When delivering the bathtub, do not hold the hose or piping or bump anything hard against it.</p>
	<p>Do not allow the power supply cord to contact hot pumps after connecting.</p>
 Always observe	<p>When opening the packaging, make sure that all of the supplied parts and the bathtub itself are not damaged, and if they are, do not use the damaged parts.</p> <ul style="list-style-type: none"> • Replace any damaged parts.
	<p>When installing the bathtub in a location that could result in damage due to water leakage, make sure to apply waterproof processing construction on the floor surface.</p> <ul style="list-style-type: none"> • If there is water leakage, it may cause damage to the floor below.
	<p>Remove the bathtub's protective sheet after the construction is completed.</p>
	<p>Secure an area that enables proper space for the usage and maintenance of the bathtub.</p>
	<p>Before completing the installation, make sure to confirm the sealability of each part.</p> <ul style="list-style-type: none"> • If water leakage is detected, remove the cause of the leakage.

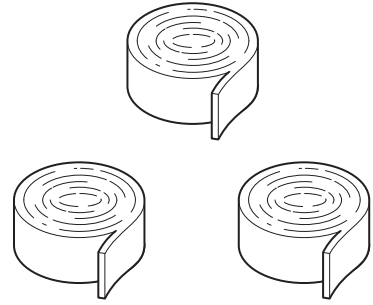
SAVE THESE INSTRUCTIONS

Included parts

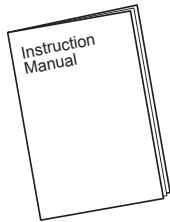
A-1 : Bathtub



A-2 : Polyethylene foamed sheet



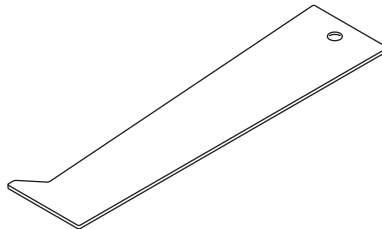
A-3 : Instruction manual



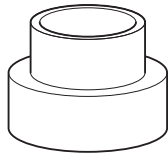
A-4 : Installation guide



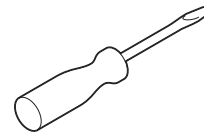
A-5 : Cleaning spatula for NECK BATH



A-7 : Socket



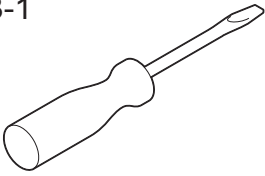
A-8 : Flathead screwdriver (small)



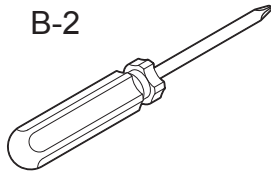
*Hand over A-3, 5 to the customer after the construction is completed.

Required tools

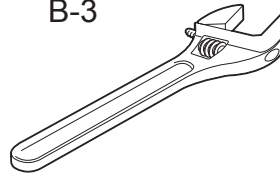
B-1



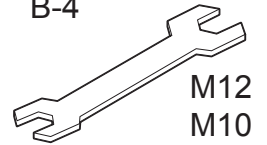
B-2



B-3

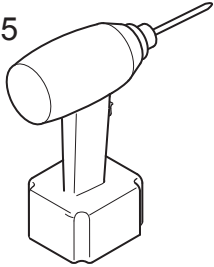


B-4

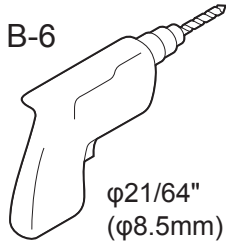


M12
M10

B-5

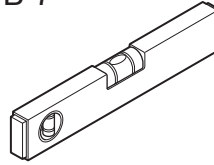


B-6

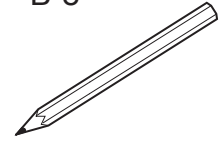


$\phi 21/64"$
($\phi 8.5\text{mm}$)

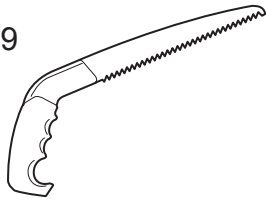
B-7



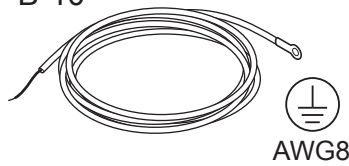
B-8



B-9

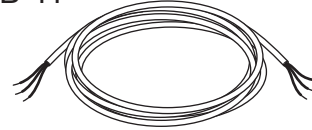


B-10



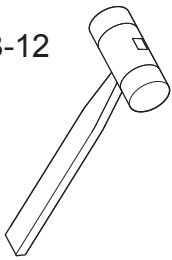
AWG8

B-11

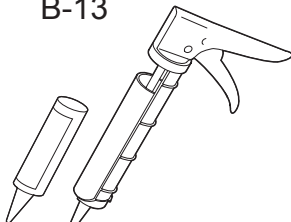


SJTW16
 $3 \times 1.5\text{mm}^2$
 $\phi 5/16" - 23/64"$
($\phi 8-9\text{mm}$)

B-12

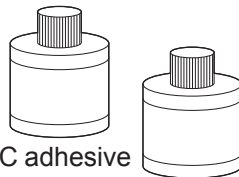


B-13



Silicone

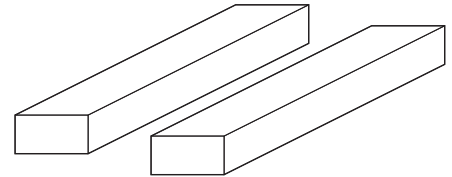
B-14



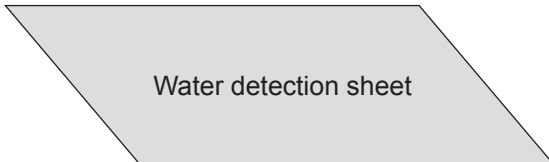
PVC adhesive

PVC primer

B-15

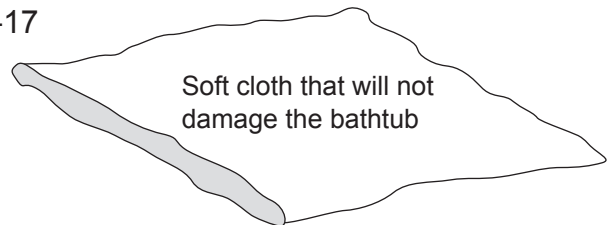


B-16



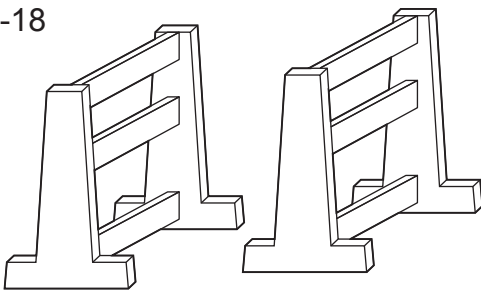
Water detection sheet

B-17

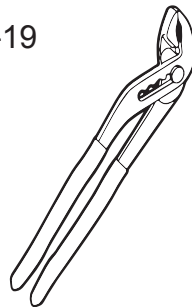


Soft cloth that will not damage the bathtub

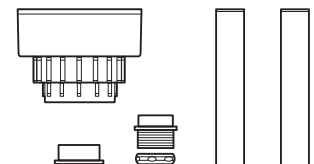
B-18



B-19

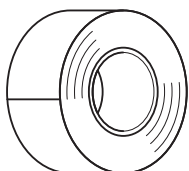


B-20



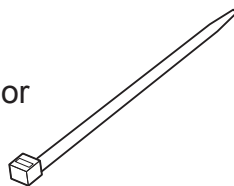
Made by OS&B Ltd:
ITD35/ITD5135 (Recommended)

B-21

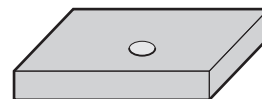


Electrical tape

or



B-22

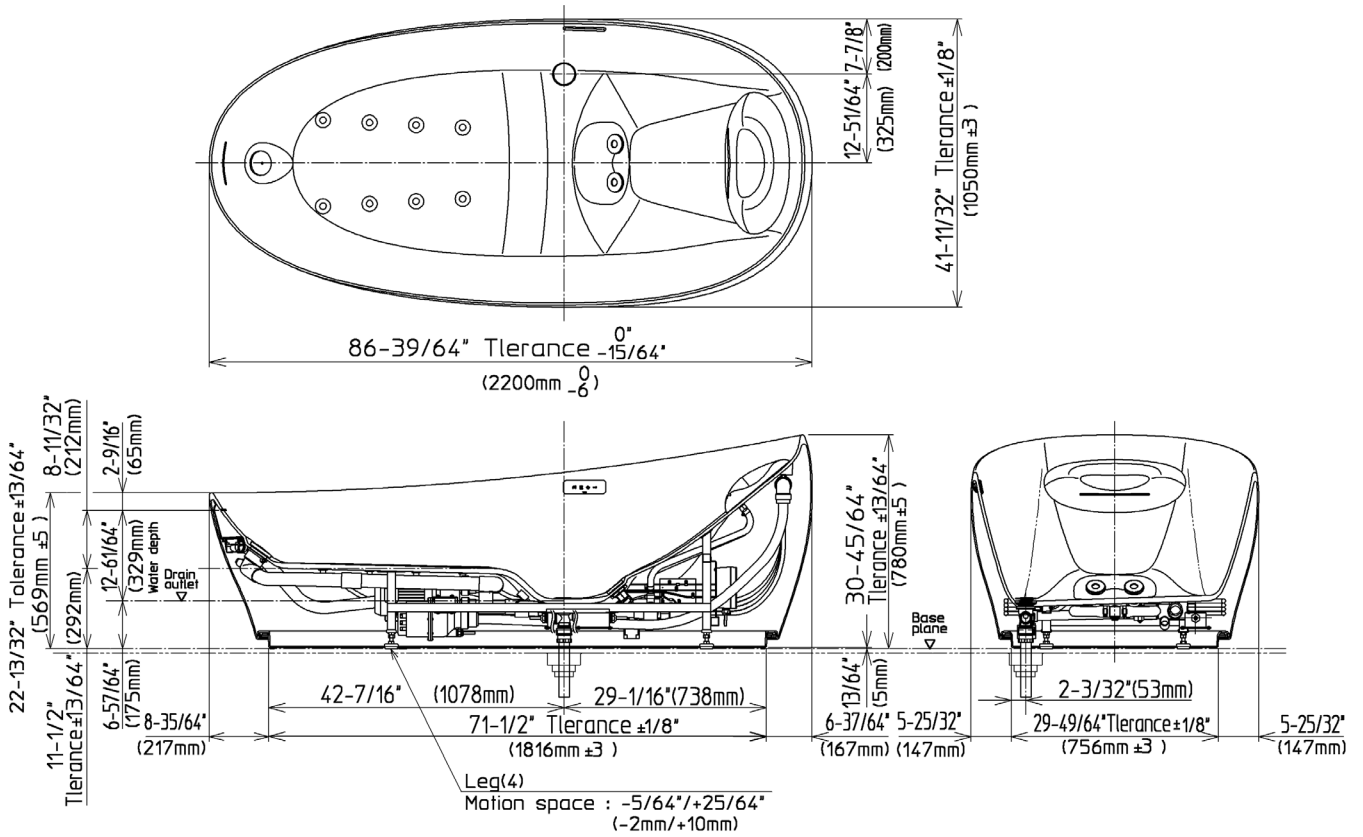


Polystyrene foam
 $10" \times 10" \times 1-1/2"$
($257\text{mm} \times 257\text{mm} \times 38.1\text{mm}$)

Specifications

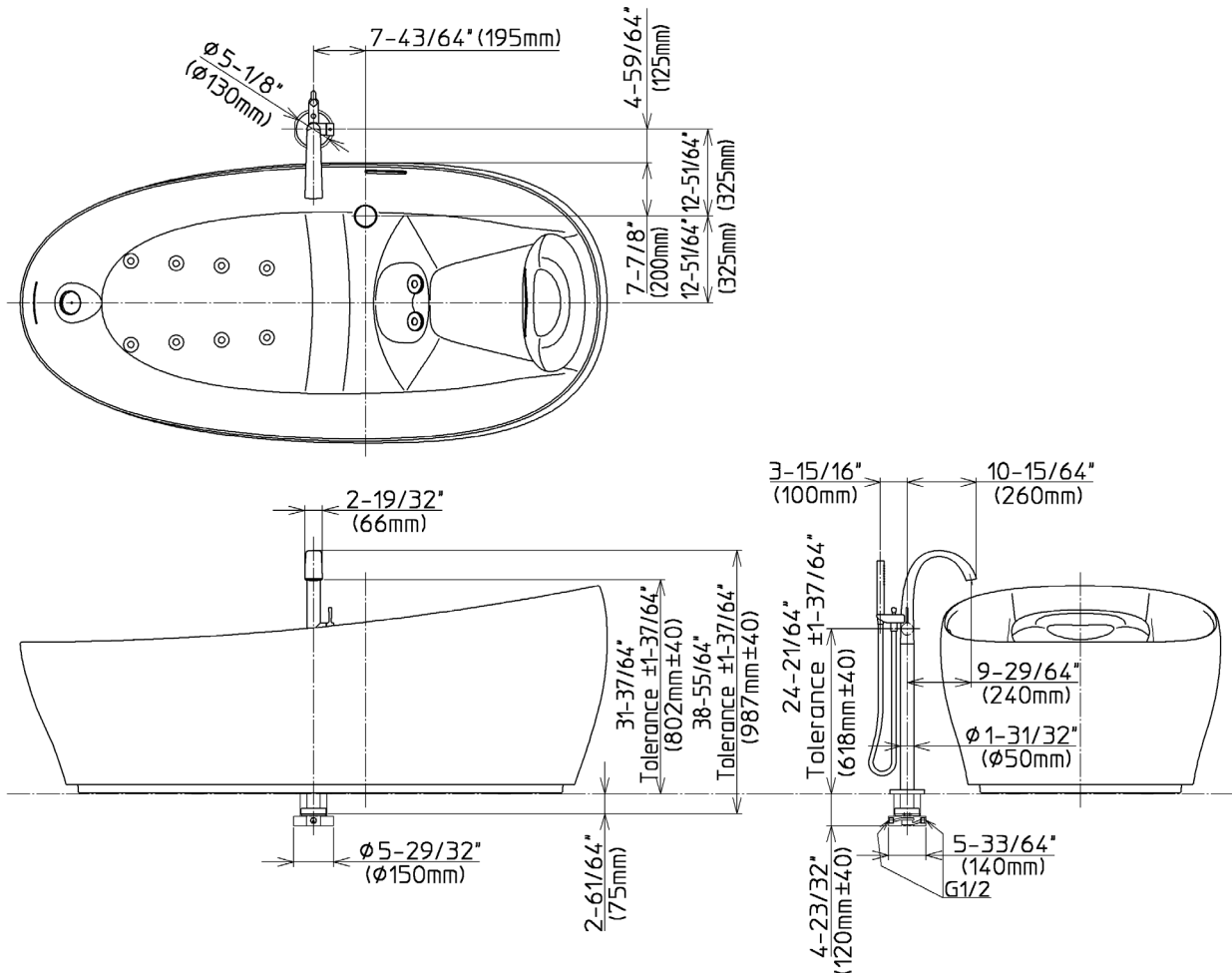
Item		Specifications
External dimensions		86-39/64" (L) × 41-11/32" (W) × 30-45/64" (H) (2200 mm (L) × 1050 mm (W) × 780 mm (H))
Bathtub depth		15-33/64" (394 mm)
Capacity		77.5 gallons (293 L)
Weight		374.7 pounds (170 kg)
Materials		An artificial marble made of GFRP sandwich structure.
Drainage method		Normal drainage (partial electrical valve automatic drainage) + Overflow drainage
Drain plug		Push-operated drain plug
Drainage rate		19 gpm (72 L/min)
Overflow rate		16 gpm (60 L/min)
AIR-JET	Number of jet ports	8 locations
	Ejection air amount	Approx. 106.5 gpm (400L/min.) (Strong mode) Approx. 66.5 gpm (250L/min.) (Weak mode)
NECK BATH (Circulation)	Number of intake parts	1 location
	Number of water outlets	1 location
	Water discharge flow rate	Approx. 4.8 gpm (18 L/min)
HYDROHANDS (Circulation)	Number of intake parts	1 location
	Number of water outlets	2 locations
	Water discharge flow rate	Approx. 15.9 gpm (60 L/min)
LED lighting	Irradiation part	1 location
	Irradiated color	1 color
Controller		Electrostatic capacitance-type touch panel
Rated voltage		120V AC
Rated frequency		60 Hz
Rated current		8.8 A
Rated power consumption		1000 W
Standby power consumption		1.8 W
Safety devices		Continuous operation preventing device Overcurrent protection device Overheating protection device (thermal protector)

Dimension drawings

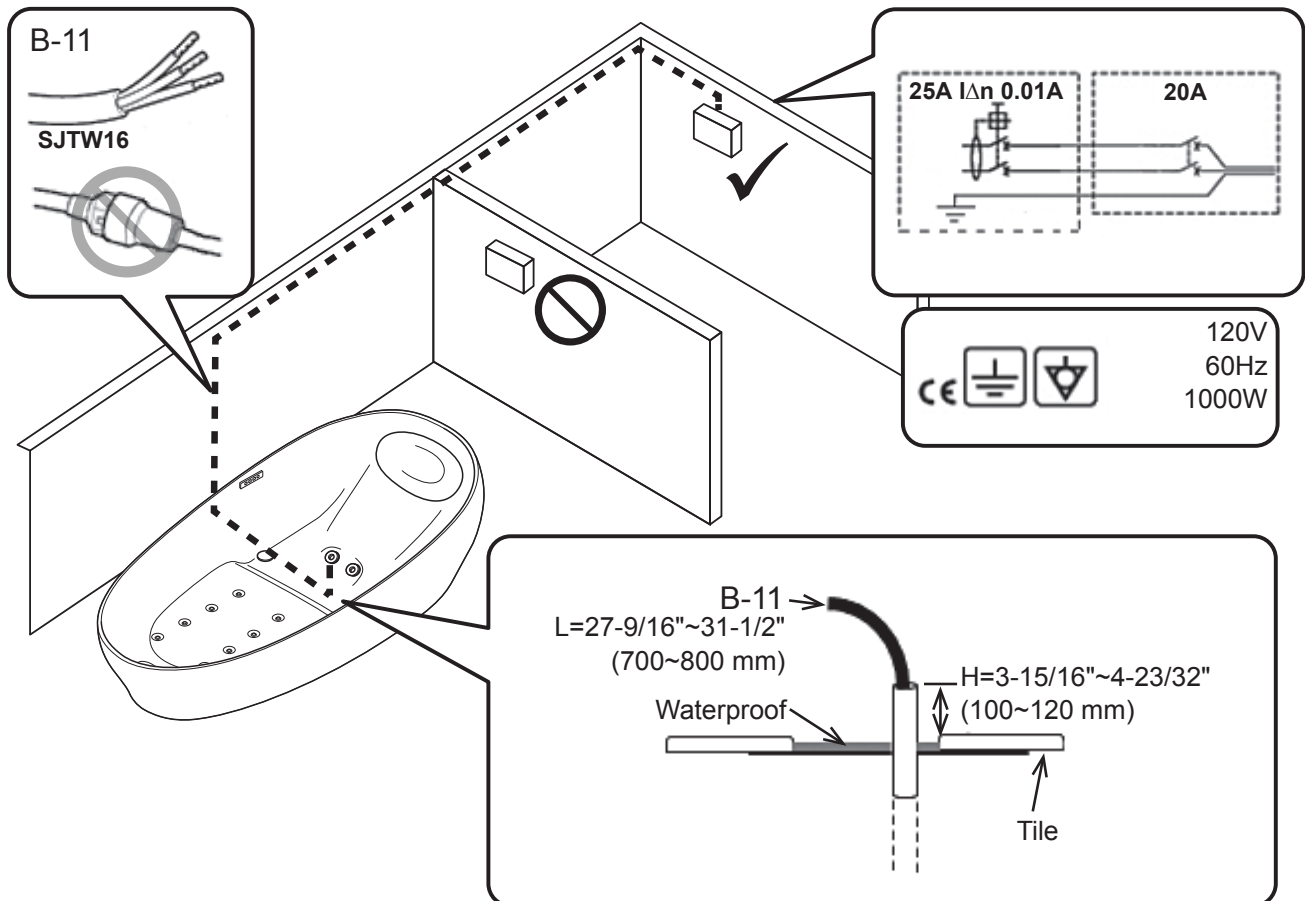









[In case of attaching an option (floor standing bathtub filler)]

For an optional water faucet, ask the dealer, contractor from whom you purchased the product, or TOTO.

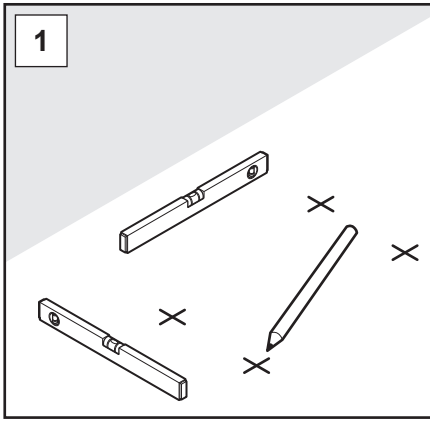


Electrical construction

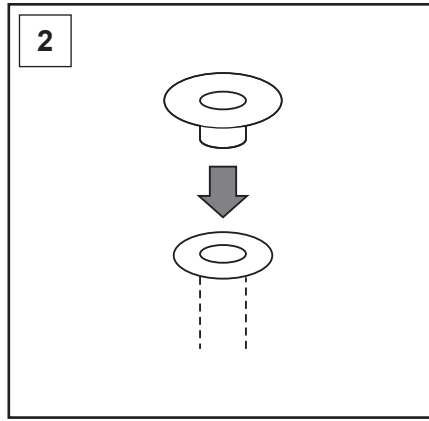


-  Turn the wiring circuit breaker off during operation.
-  Protect the product with a wiring circuit breaker ($I\Delta n$ 0.01A and 25A differential switch, 20A magnetic thermal switch) and ground fault circuit interrupter (GFCI). Install both switches outside of the bathroom.
-  Use a fixed connection to supply power to the bathtub. Do not extend or relay the power cord, connect it as 1 cord.
-  When installing the bathtub, do it within the protection area and make sure that the person does not touch any electrical devices from inside the bathtub. Install the bathtub over 23-5/8" (600 mm) away from any electrical appliances or power sockets.
-  USE SUPPLY WIRES SUITABLE FOR 60°C
-  An equipment bonding terminal is provided in the field wiring compartment. To reduce the risk of electric shock, this terminal must be connected to the bonding means provided in the electric supply panel with a conductor equivalent in size to the circuit conductors supplying this equipment.
-  INSTALL THIS UNIT IN ACCORDANCE WITH NATIONAL ELECTRIC CODE.

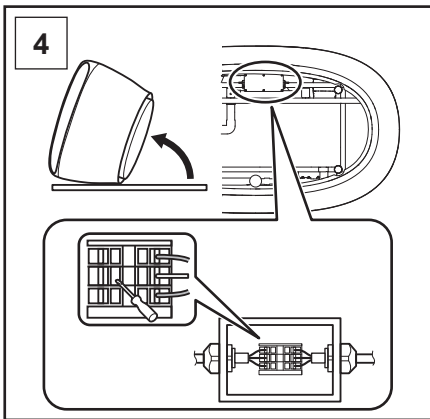
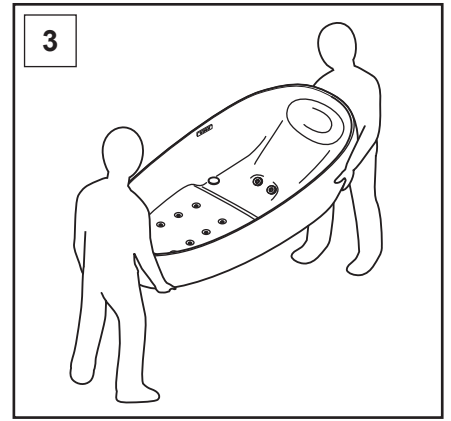
Installation procedures



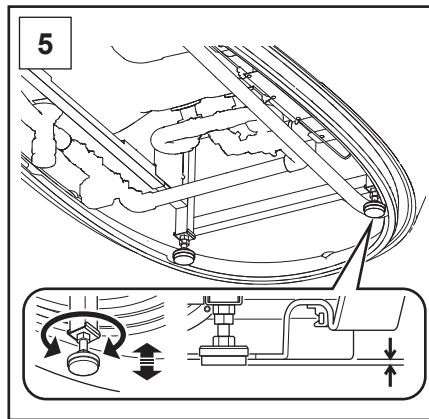
>>P.10



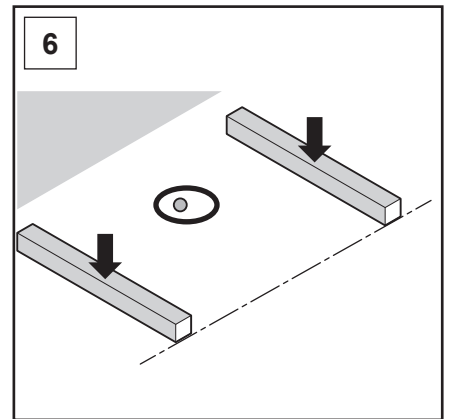
>>P.11



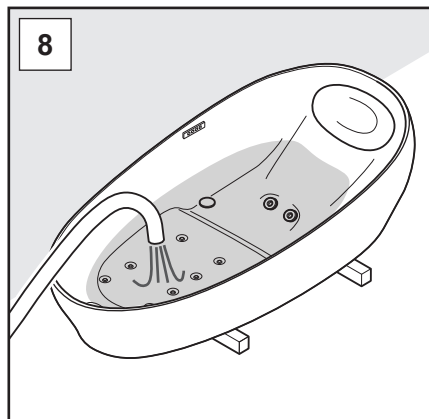
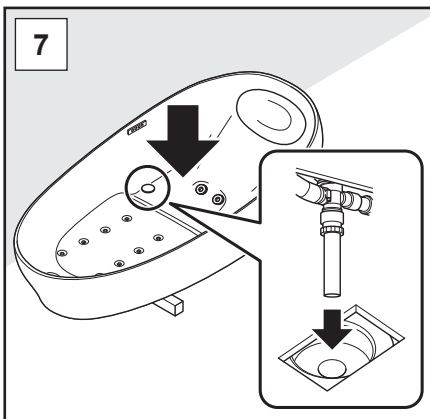
>>P.12



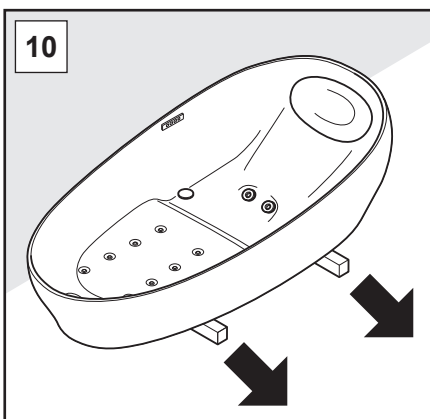
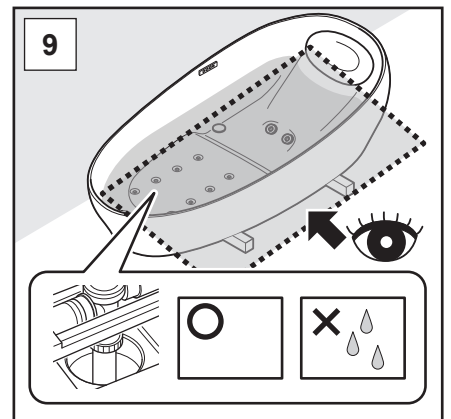
>>P.14



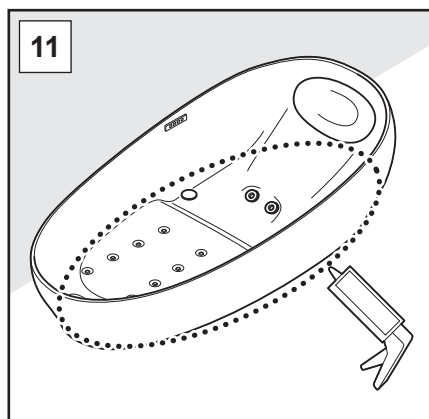
>>P.14



>>P.15



>>P.16



Meaning of the indications



This operation must be conducted by a contractor.



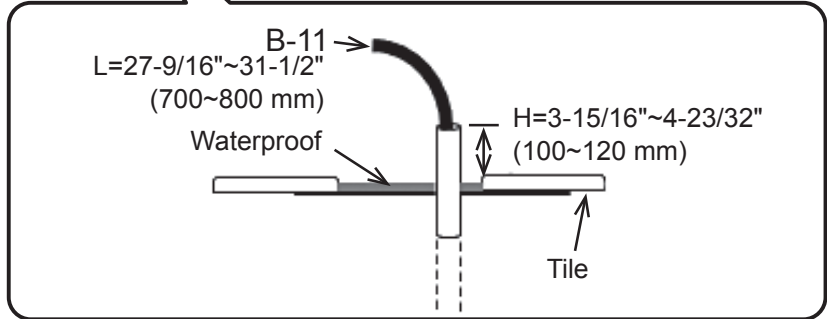
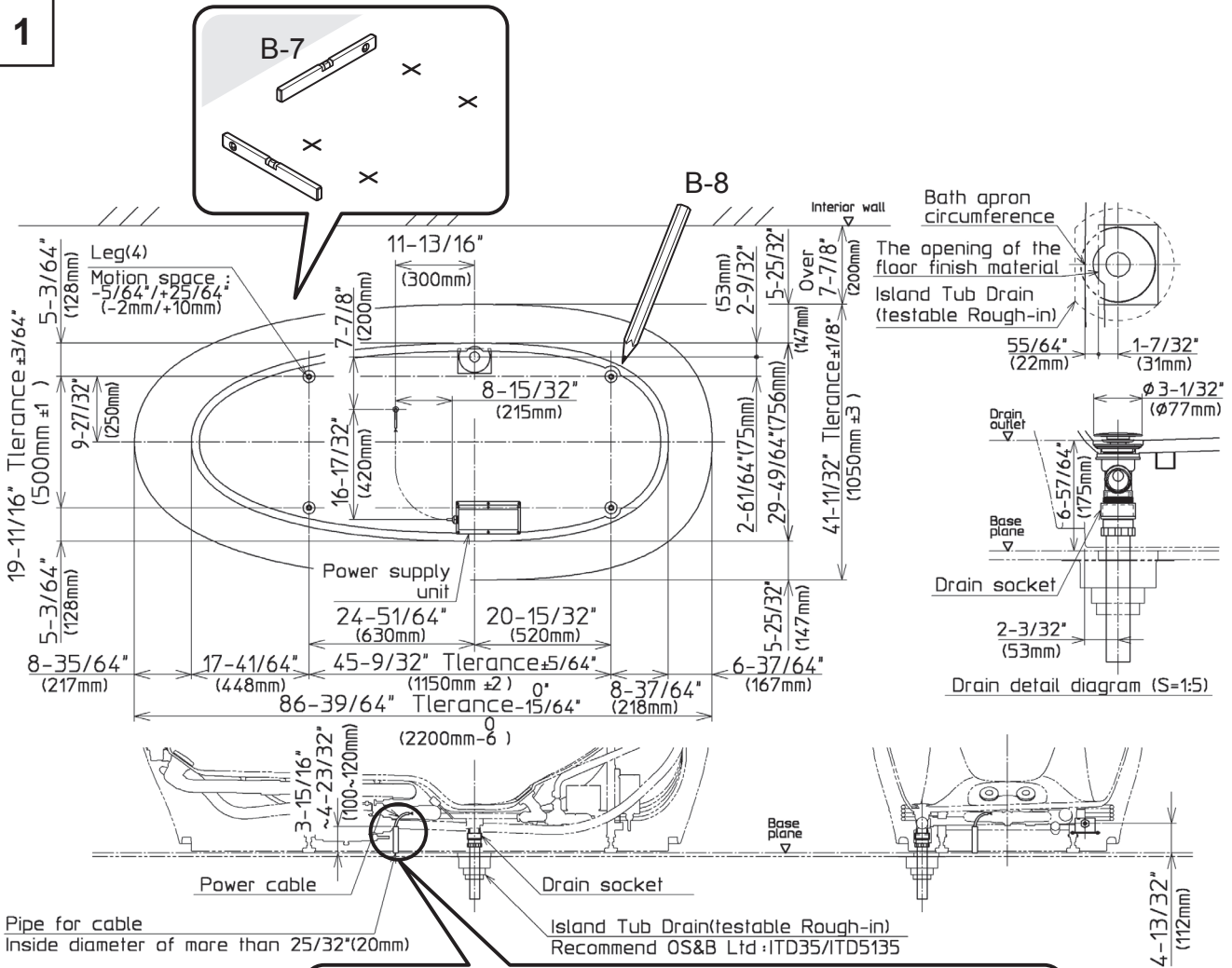
Operation that must be checked.



Indicates the work flow.

Building a base for the bathtub

1



Please conduct site operation directly on the drain.



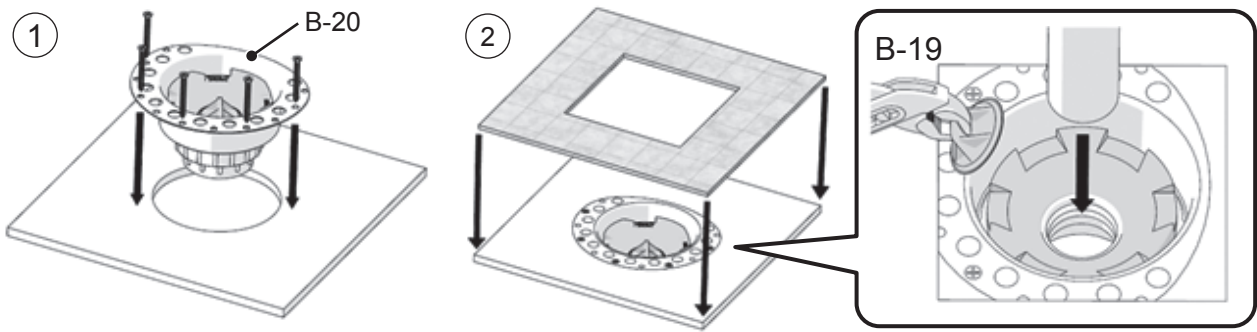
When embedding a power cable for the bathtub on the installation side, please use a sheath tube with an inner diameter of 25/32" (20 mm) or more.



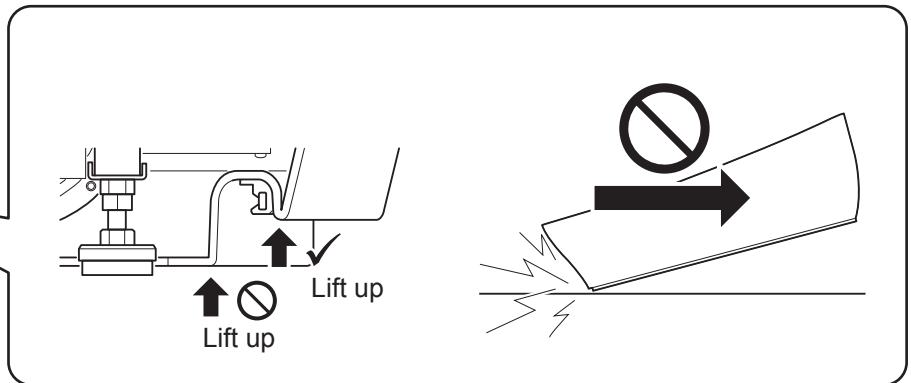
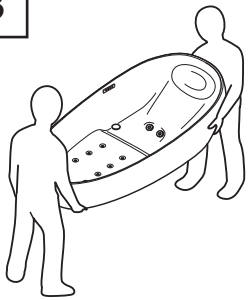
Arrange the opening of the floor coverings to the inside of the bathtub apron.

Installing the bathtub

2

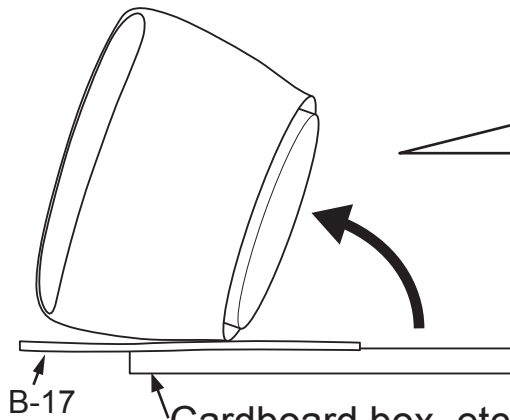


3

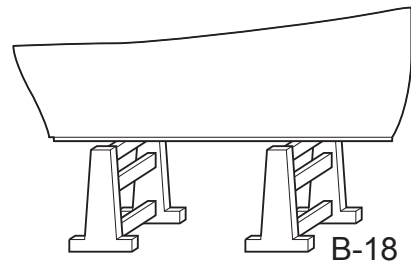


4

1



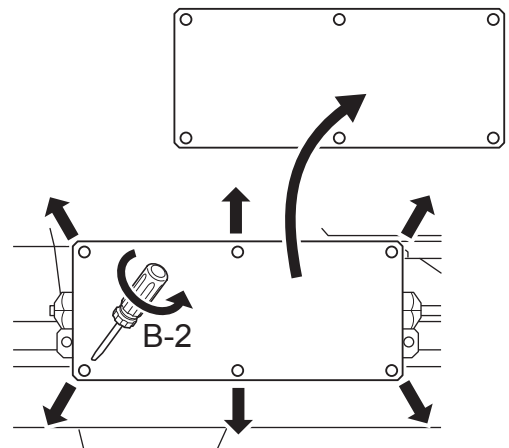
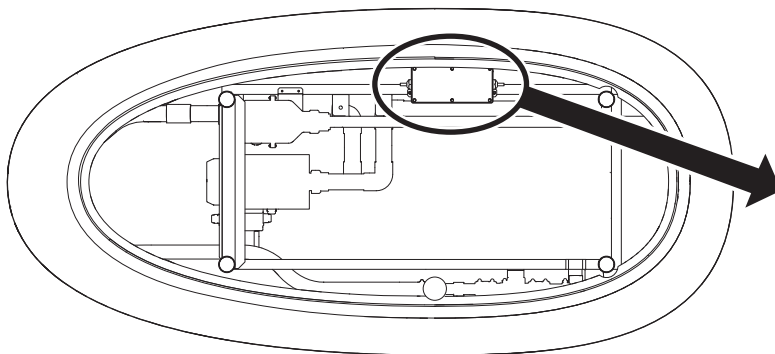
Other choices



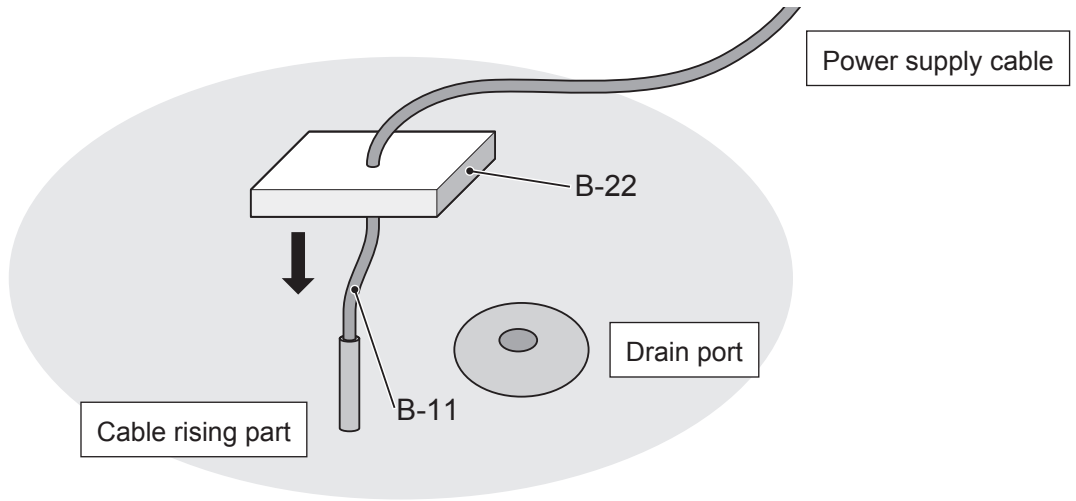
B-17

Cardboard box, etc., for packaging the bathtub

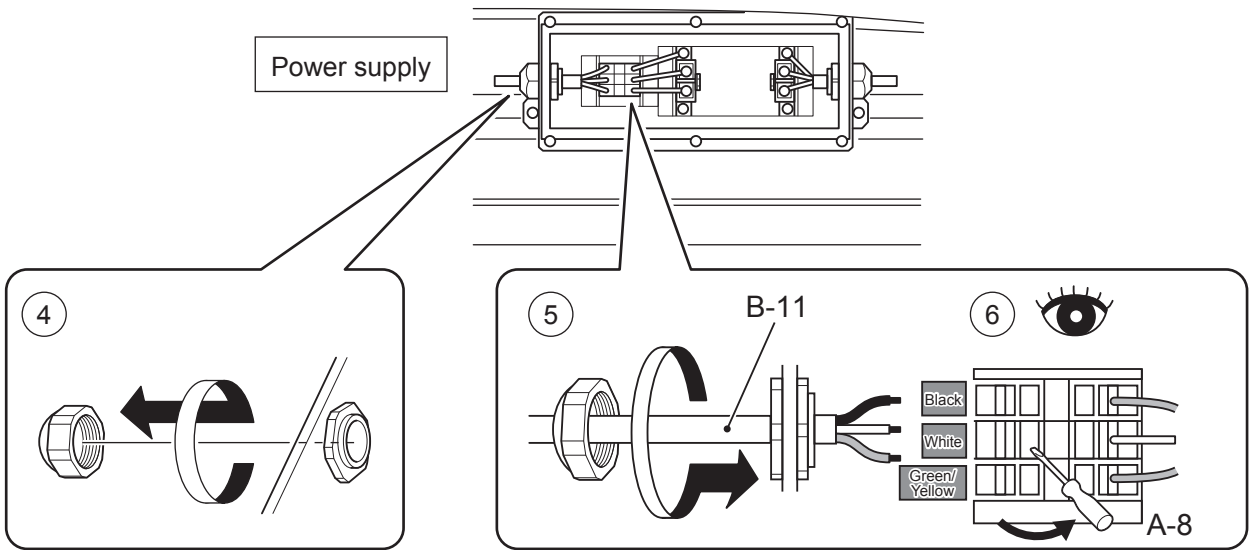
2



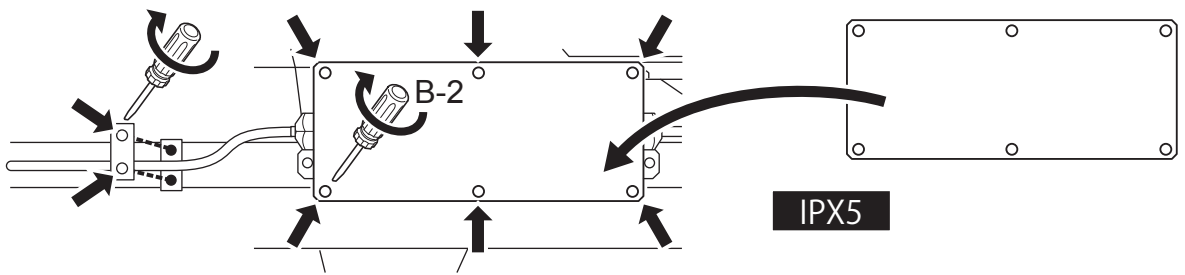
3



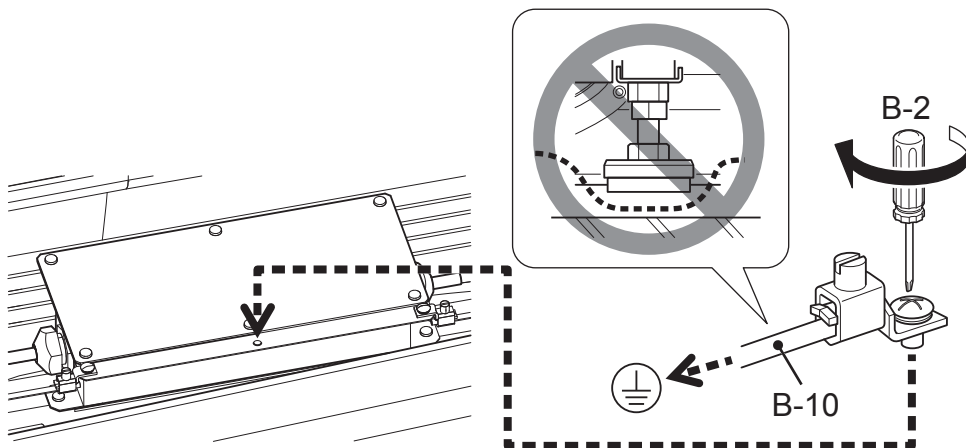
Power supply



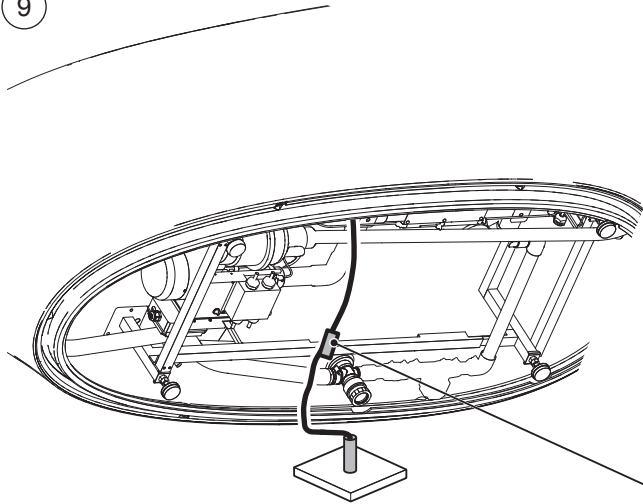
7



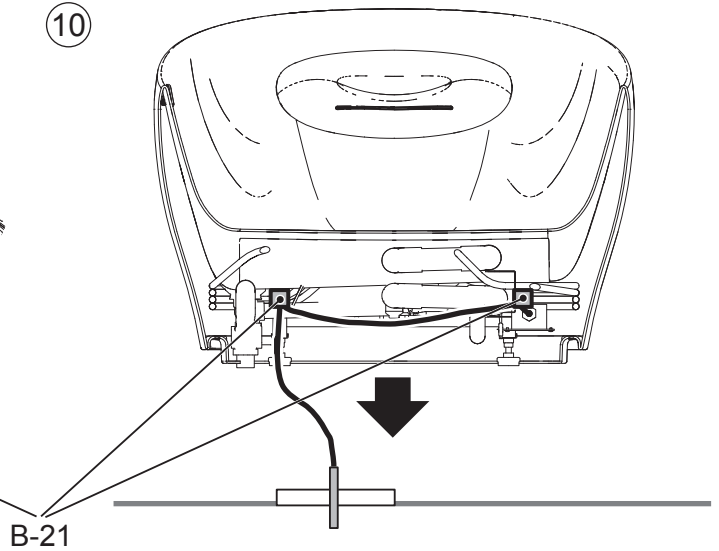
8



9

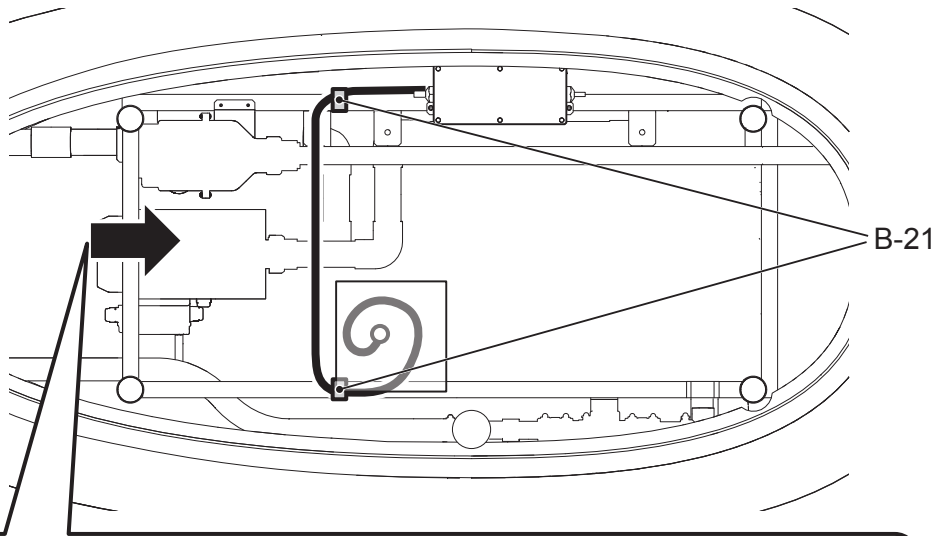


10

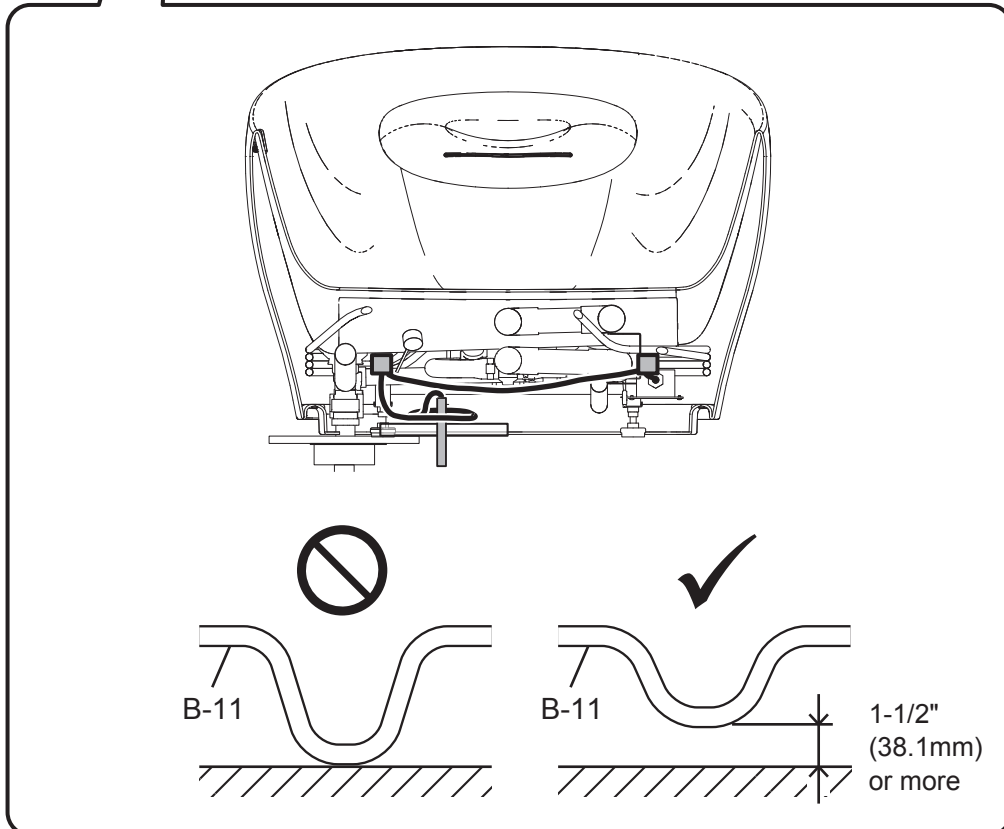


B-21

11



B-21

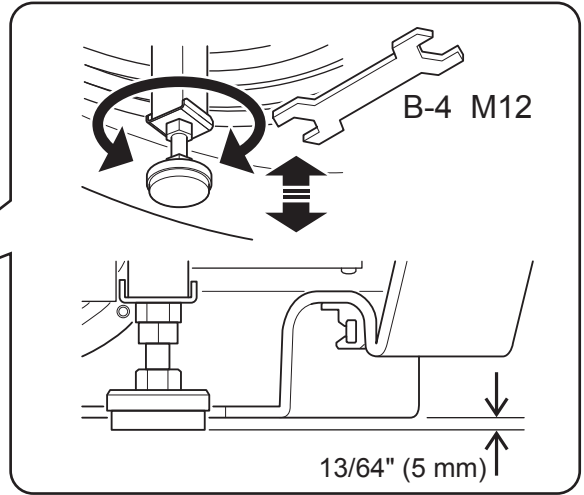
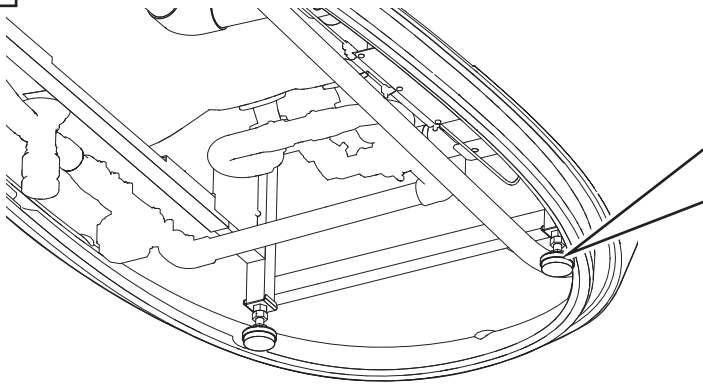


B-11

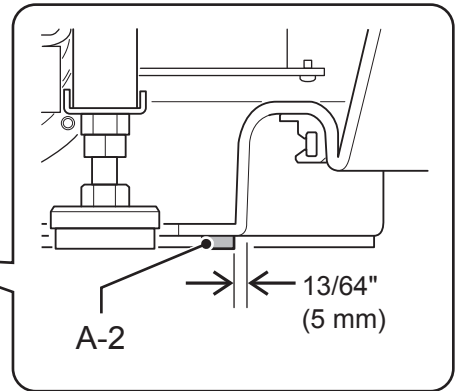
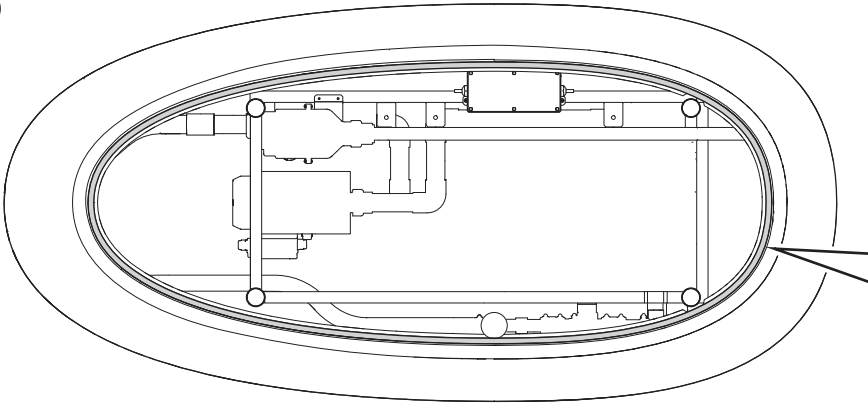
B-11

1-1/2"
(38.1mm)
or more

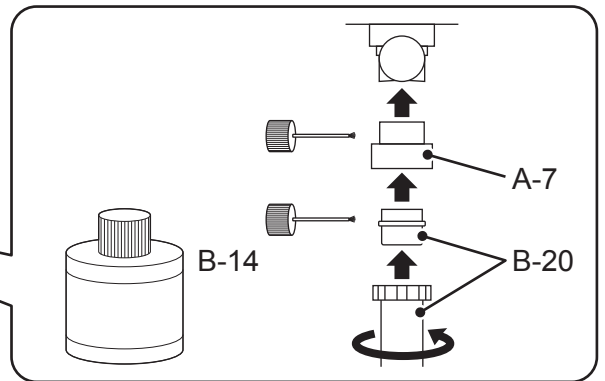
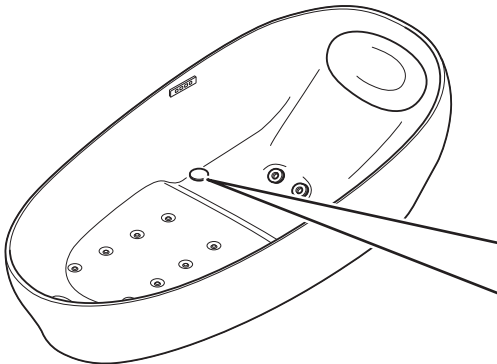
5 ①



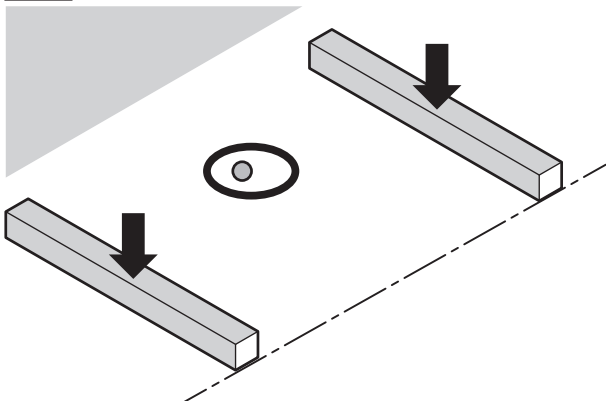
②



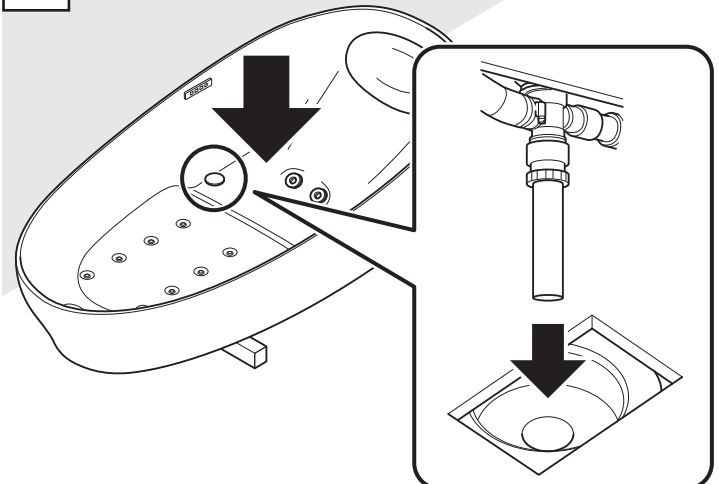
③



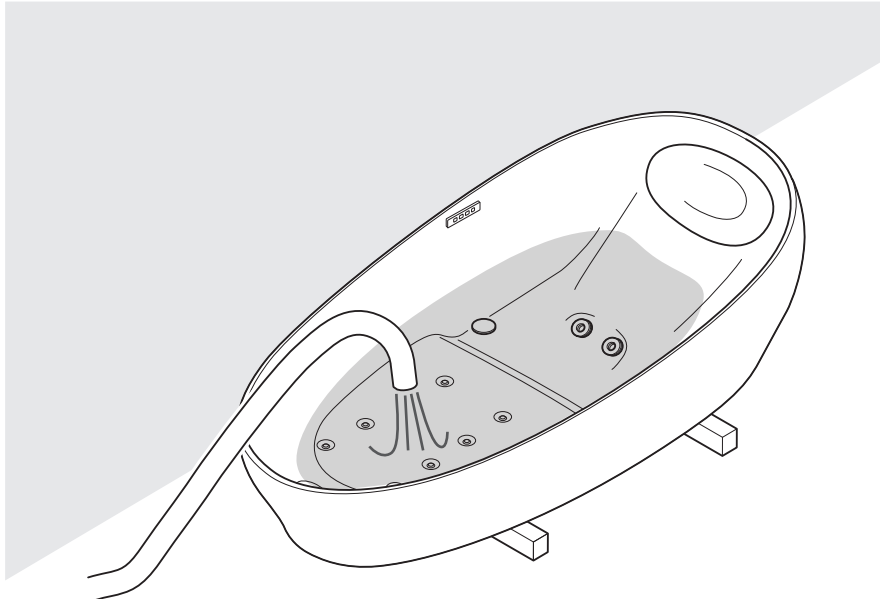
6



7

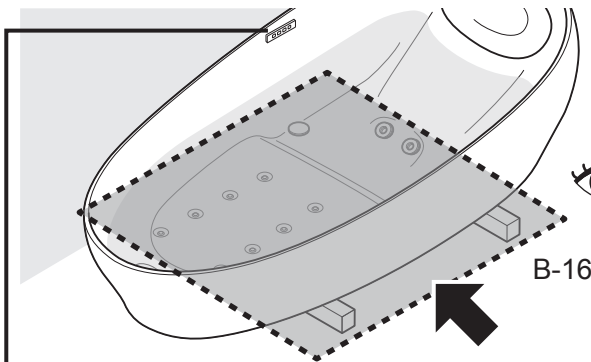
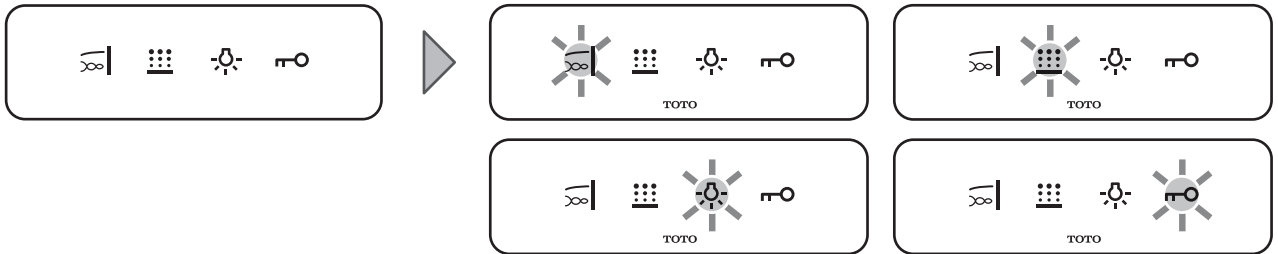




8



Conduct a trial run

9



Check to see that there is no water leakage when the product is operating or stopped. Conduct a trial run for 10 minutes.



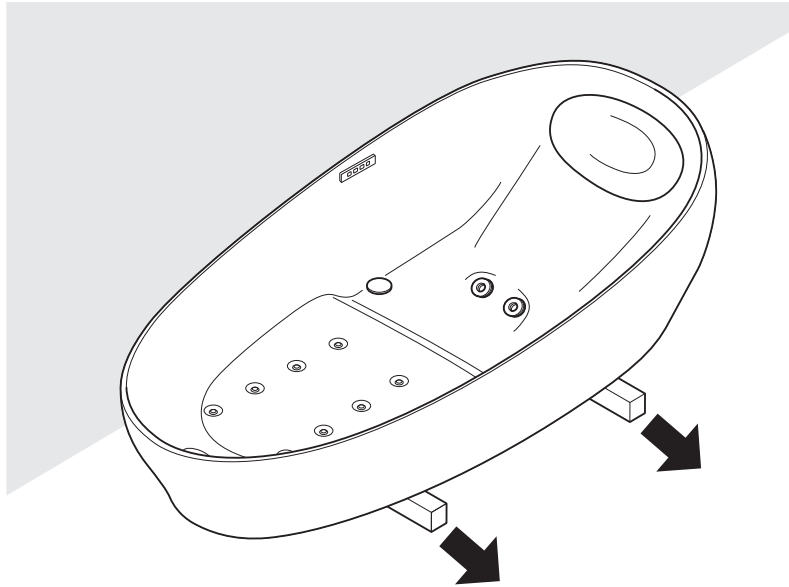
If trouble occurs during the trial run

Symptoms	Processing
The controller does not light up, or operate any functions.	Is power being supplied?
	Has there been a power outage?
	Is it locked? Unlock by pressing and holding for over 3 seconds.
HYDROHANDS / NECK BATH	Is the water level in the bathtub too low? Fill the water above the intake parts.
The drain plug does not open or close.	Please call for a repair.

*Please refer to the instruction manual for other symptoms.

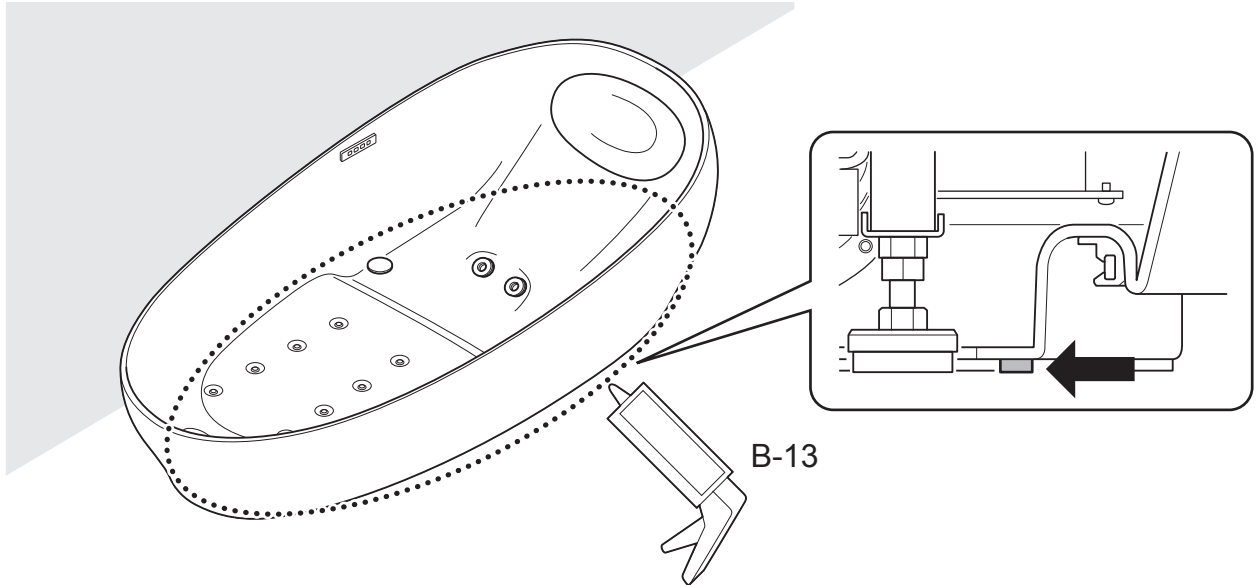
*Please do the work by laying the bathtub sideways when maintenance (checking / repairing).

10



Finishing

11



WARNING



Secure enough space between the bathtub and tiles, and fill that space with silicone that does not contain alcohol.

MEMO

MEMO

MEMO

