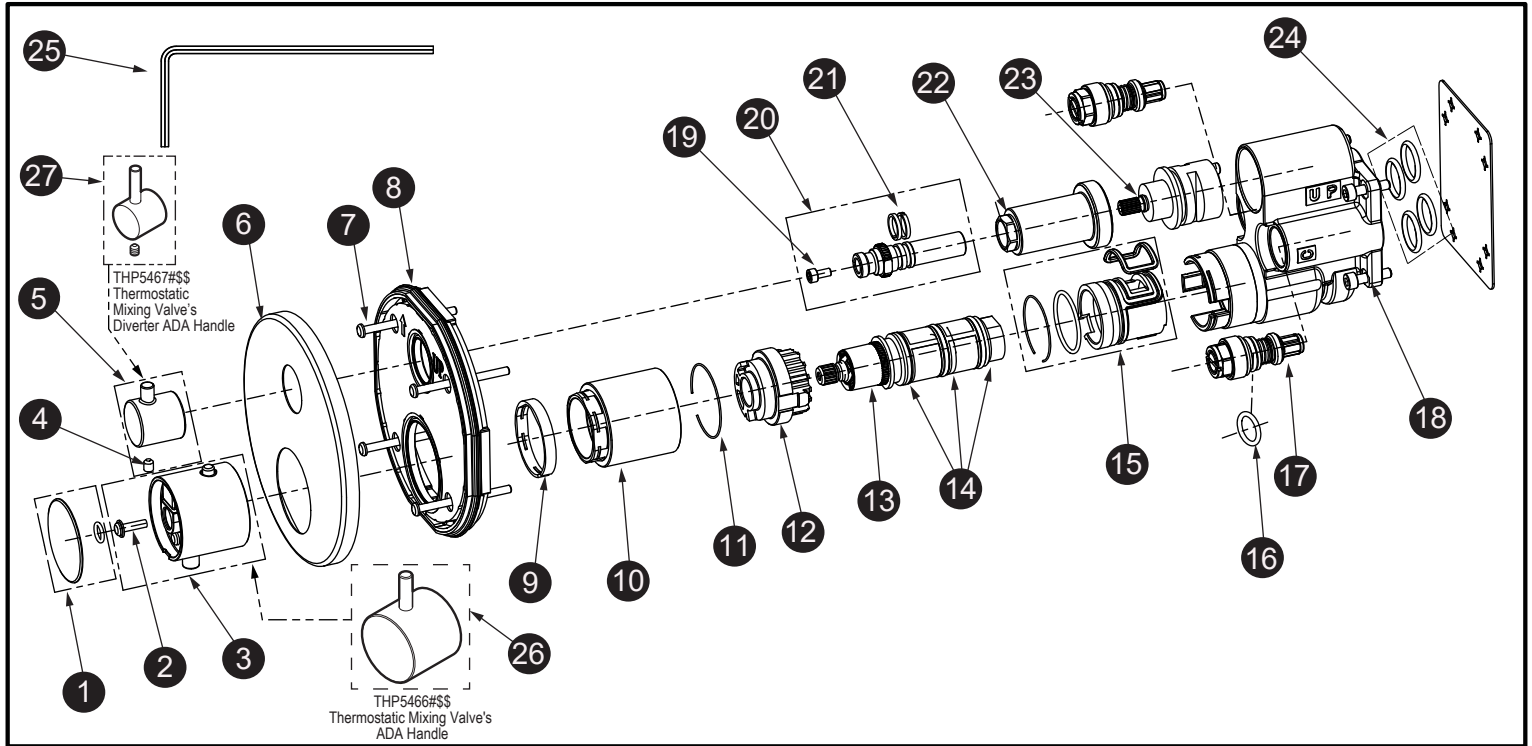


Thermostatic w/ 2-Way Shutoff Diverter Valve (Round)



Item	Part	Description
1*	THP5215#\$\$	Handle Cap
2	THP5216	Screw
3*	THP5217#\$\$	Temperature Control Handle
4	THP5233	Set Screw
5*	THP5234#\$\$	Diverter Handle
6*	THP5242#\$\$	Trim
7	THP5219	Screw (4pcs/pkg)
8	THP5236	Lining Plate
9	THP5221	Snap Ring
10*	THP5222#\$\$	Cartridge Sleeve
11	THP5223	Snap Ring
12	THP5224	Temperature Limiter
13	THP5225	Thermostat Cartridge
14	THP5226	O-Ring (3pcs/pkg)
15	THP5227	Inner Sleeve
16	THP5229	O-Ring
17	THP5228	Service Stop
18	THP5230	Hex Screw (4pcs/pkg)
19	THP5237	Hex Screw
20	THP5238	Volume Control Stem Set
21	THP5239	O-Ring
22*	THP5240#\$\$	Diverter Sleeve
23	THP5243	Cartridge
24	THP5231	O-Ring (4pcs/pkg)
25	THP5232	Hex Wrench
26	THP5466#\$\$	Thermostatic Mixing Valve's ADA Handle
27	THP5467#\$\$	Thermostatic Mixing Valve's Diverter ADA Handle

LEGEND
\$\$ = Denotes Finish
#CP = Polished Chrome
#BN = Brushed Nickel

MADE TO ORDER
\$\$ = Denotes Finish
#PN = Polished Nickel
#PFG = Polished French Gold
#PBR = Polished Bronze
#MBL = Matte Black