

IoT-Enabled ECOPOWER® High-Efficiency Toilet Flush Valve, 1.28 GPF

FEATURES

- 1.28 GPF
- Wireless Communication
- Connects seamlessly with Georgia-Pacific's (GP) KOLO™ Smart Monitoring System and through an API to facilities monitoring platforms
- Service agreement with GP required to enable IoT or Smart Features
- ECOPOWER flush valve's operation is independent of its IoT capability
- Some of the IoT-enabled Smart Features include: failure detection, usage, water consumption, and battery/capacitor charge
- Self-powered hydroelectric flush valve system
- No minimum daily usage requirement
- Durable chrome plated body with tamper-proof screws and solid bronze valve body
- Self-cleaning piston valve with 360° filter screen
- Neutral rough-in and adjustable tail piece connection
- True mechanical flush override
- Smart sensor with self-adjusting detection range
- 6-second detection time to prevent ghost flushing
- For toilet with 1-1/2" top spud inlet
- Exposed flush valve with 1" angle stop and 1-1/2" vacuum breaker set
- Protects trap seal with a maintenance flush if not used in a 24 hour period
- *Additional product benefits and features are available by contacting TOTO IoT/Smart Products Experts (or Division) or a TOTO sales representative*

MODELS

- TET1LAI232#CP
 - TET1LAI2#CP (1.28 GPF flush valve)
 - VB0932#CP (1-1/2" vacuum breaker tube, 1" angle stop)

COLORS/FINISHES

- #CP Polished Chrome

OPTIONAL ACCESSORIES

- Z-4000-J - Adapter for ground joint angle stops

CODES/STANDARDS

- Meets or exceeds ASSE 1037/ASME A112.1037/CSA B125.37
- FCC compliant to Part 15
- Certifications: IAPMO(cUPC), EPA WaterSense, State of Massachusetts, and others
- Code Compliance: UPC, IPC, NSPC, NPC Canada, and others
- Complies with CA Title 20 regulations and CalGreen when used with a 1.28 GPF water closet
- ADA compliant
- Complies with CA Prop 65 warning requirements



Piston Valve

PRODUCT SPECIFICATION

TOTO® Model No. _____
 Product shall be 1.28 GPF. Product shall be an automatic infrared sensor-activated, toilet flush valve. Product shall use hydropower, ECOPOWER flush valve system. Product shall have durable chrome plated body with tamper-proof screws and solid bronze valve body. Product shall have smart sensor with self-adjusting detection range. Product shall have neutral rough-in and adjustable tail piece connection. Product shall have smart sensor with self-adjusting detection range. Product shall have true mechanical flush override. Product shall have 6-second detection time to prevent ghost flushing. Product shall have piston with debris screen and solenoid with self-cleaning mechanism. Product shall be ADA compliant.



TET1LAI2

IoT-Enabled ECOPOWER® High-Efficiency Toilet Flush Valve, 1.28 GPF

SPECIFICATIONS

- Material: Bronze casting
- Power supply: ECOPOWER
- Sensor detection time: Factory setting at six (6) seconds minimum
- Sensor detection range: Self-adjusting to environment
- Discharge quantity: Preset to 1.28 GPF/ 4.8 LPF
- Operating temperature: 32°-104°F (0°-40°C)
- Water Source: Tap water (Municipal Supply only)
- Water supply pressure: 35 psi - 125 psi*
- Water supply connection: 1" NPT
- Warranty: Three year limited

*Water pressures over 80 psi are not recommended for most plumbing fixtures. Check your local plumbing code for details.

INSTALLATION NOTES

For commercial applications only.
Warning: Failure to properly adjust angle stop to the appropriate level can potentially cause property damage.

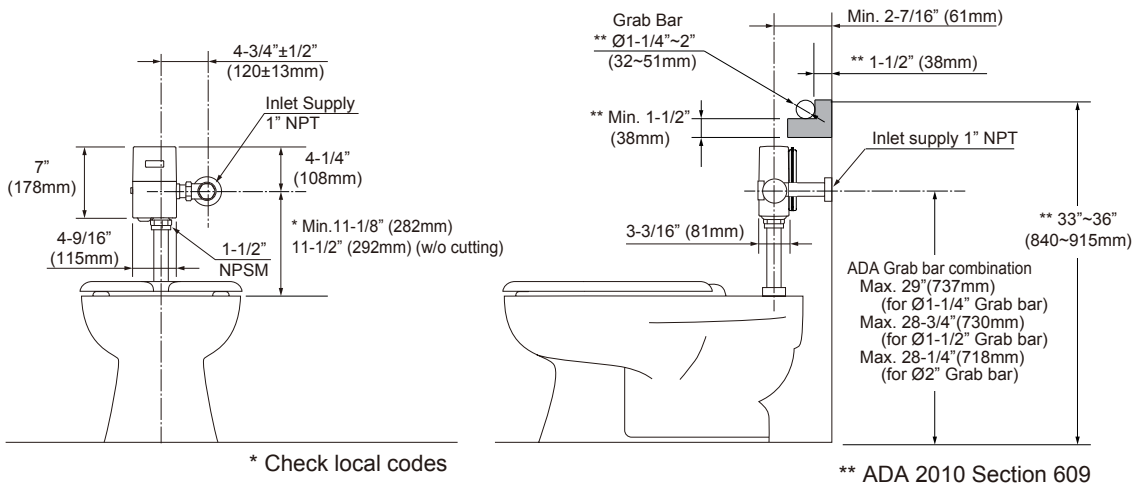
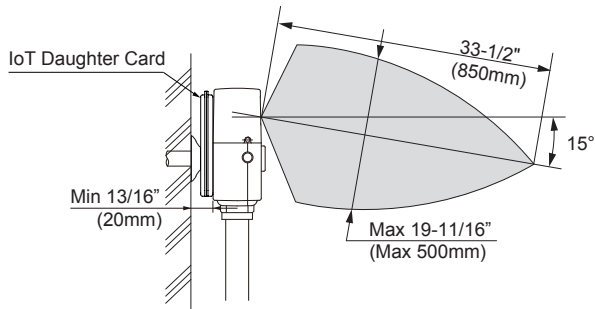
For detailed installation instructions, please refer to the installation manual.

Max flow rate to be used with TET1LAI2: 1.28 GPF

Confirm with local codes and standards for floor drain requirement. Adjust control stop for proper flow rate to the fixture.

A minimum of 13/16" (20mm) clearance between the back of the flush valve and the wall is required for IoT daughter card installation. Please refer to the diagram below.

DIAGRAM



TOTO

These dimensions and specifications are subject to change without notice